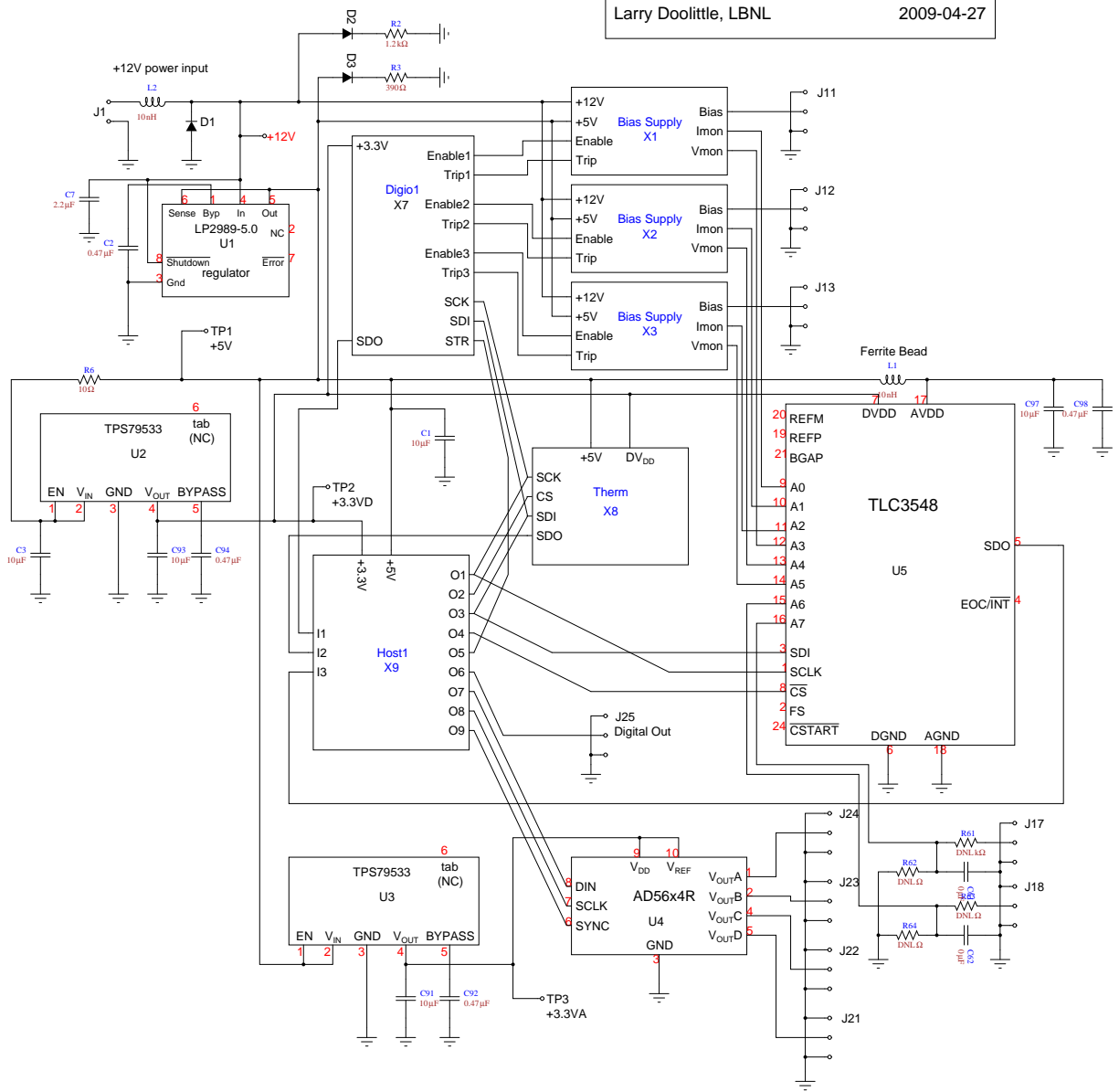


# Top Level

LBNL LLRF Expansion Board V1.0 Page 1/5  
Larry Doolittle, LBNL 2009-04-27



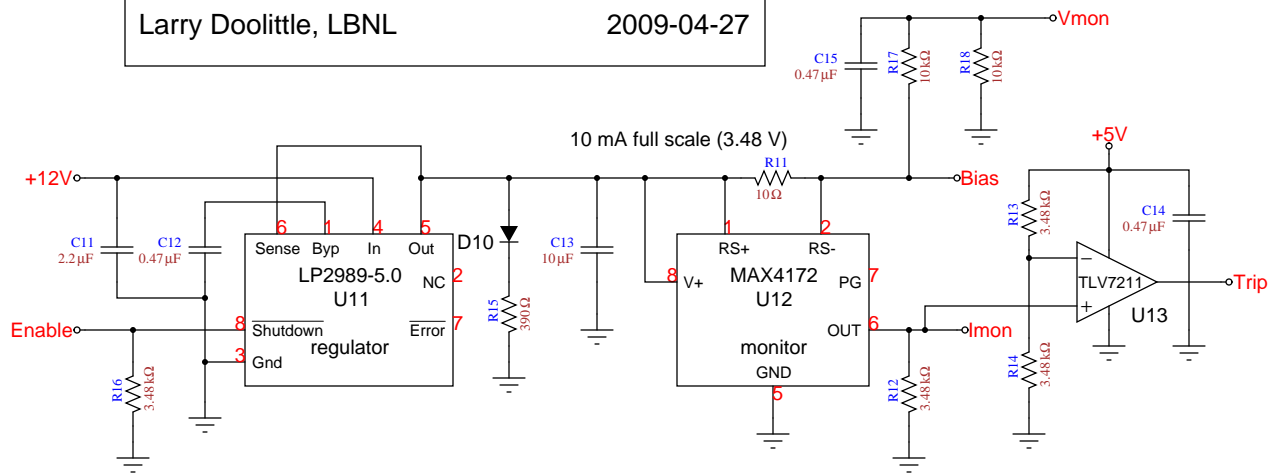
# Photodetector Bias Supply

LBNL LLRF Expansion Board V1.0

Page 2/5

Larry Doolittle, LBNL

2009-04-27



spice1:.subckt %n Bias Imon +12V Enable  
spice-1:.ends

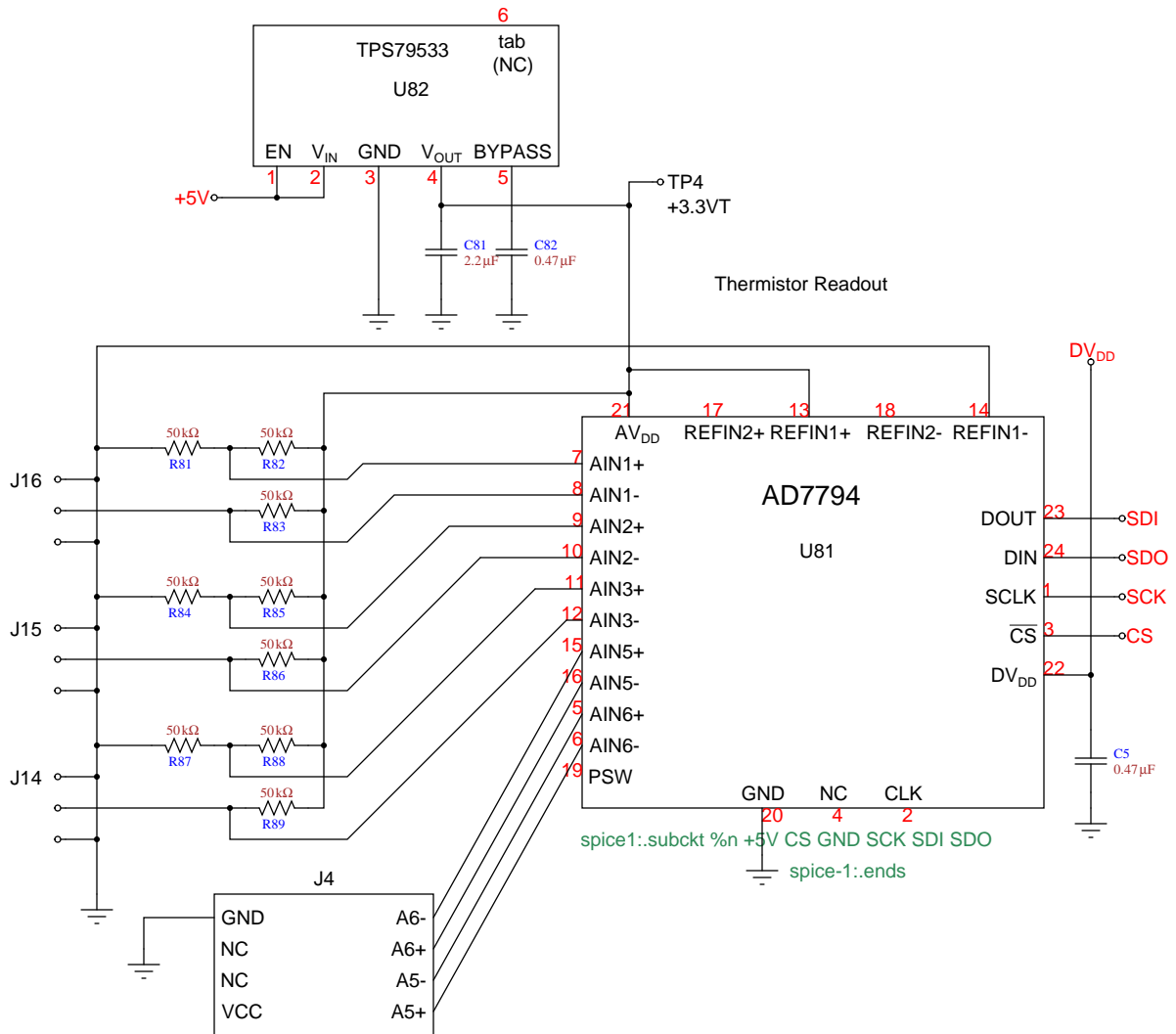
# Thermistor Readout

LBNL LLRF Expansion Board V1.0

Page 3/5

Larry Doolittle, LBNL

2009-04-27



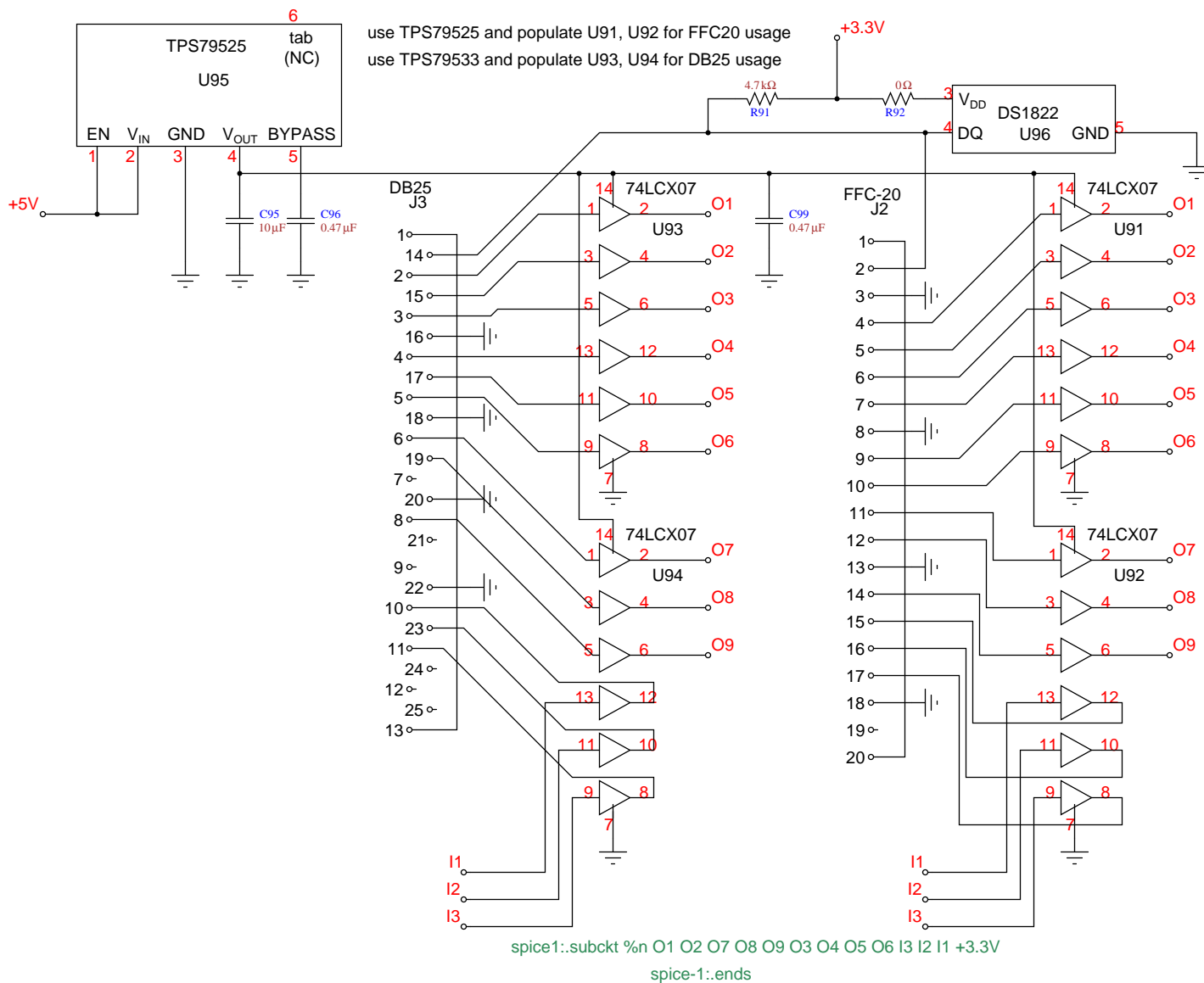
# Host Interface

LBNL LLRF Expansion Board V1.0

Page 4/5

Larry Doolittle, LBNL

2009-04-27



# Digital Control

LBNL LLRF Expansion Board V1.0

Page 5/5

Larry Doolittle, LBNL

2009-04-27

