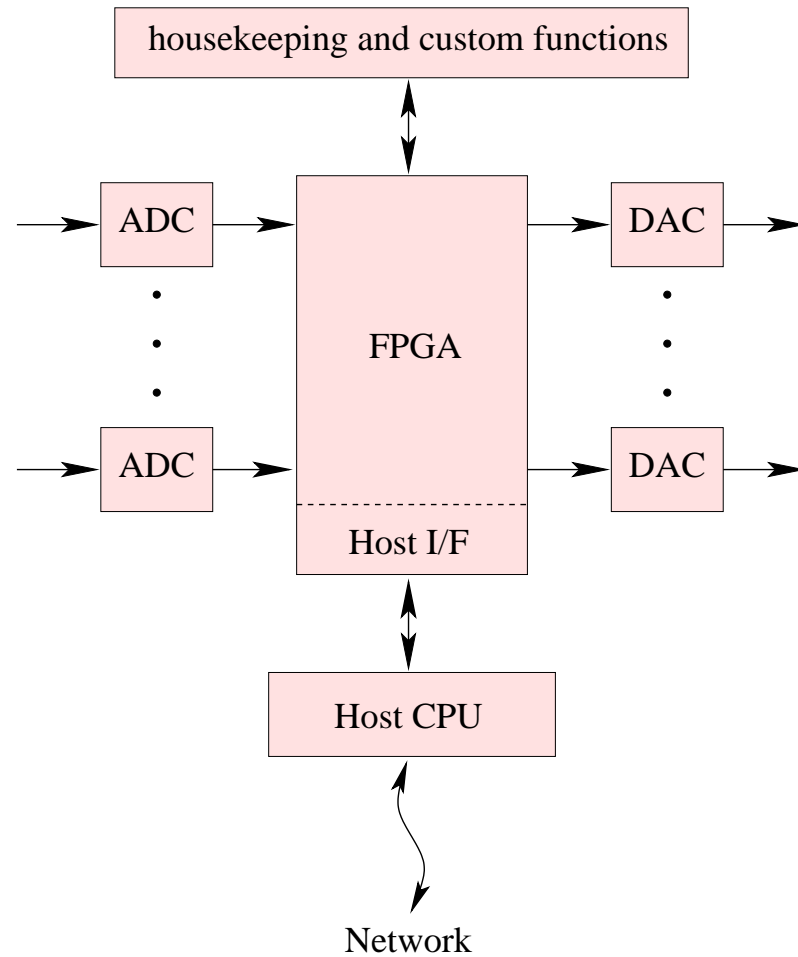
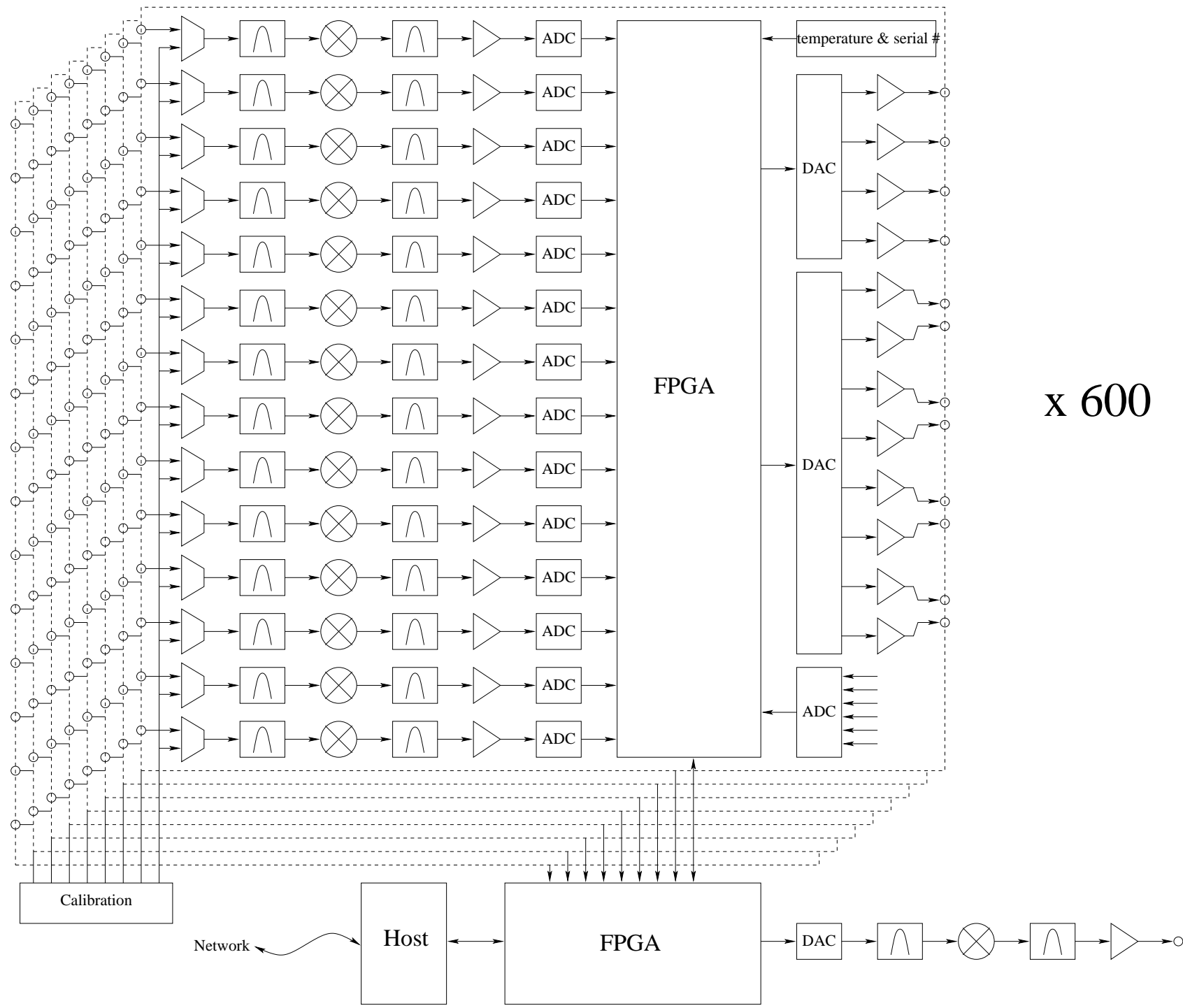


Custom LLRF Platform Development at LBNL

Larry Doolittle, LBNL

February 10, 2006





	ADS809	AD6645	LTC2229	LTC2249	
resolution	12	14	12	14	bits
speed	80	105	80	80	MS/s
input 3dB BW	1000	270	575	575	MHz
aperture jitter	0.25	0.10	0.2	0.2	ps rms
latency	5	3.5	6	6	cycles
power	900	1500	246	258	mW
power (idle)	20	N/A	2	2	mW
analog V_{CC}	5.0	5.0	3.3	3.3	V
digital V_{CC}	3.3	3.3	2.0-3.3	2.0-3.3	V
pins	48	48	32	32	
size	9x9	12x12	5x5	5x5	mm
cost	32.44	88.00	22.83	34.58	US\$
clock	diff	diff	SE	SE	

